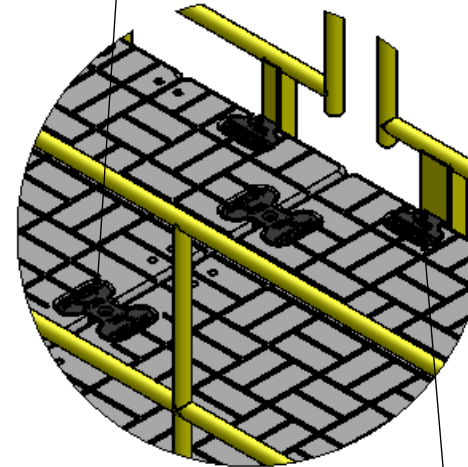
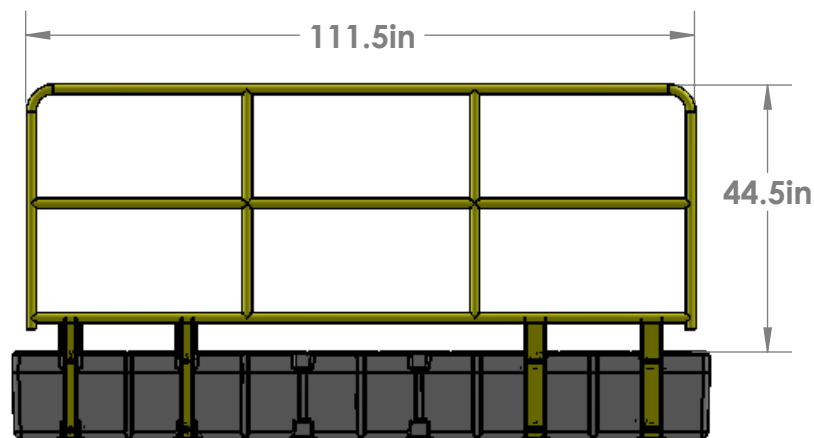
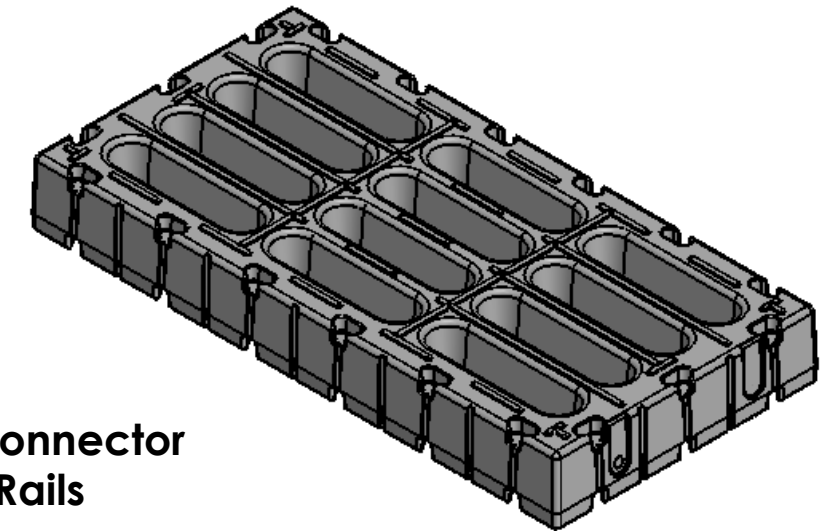


Rubber Connector




DETAIL A
SCALE 1 : 16

Rubber Connector
for Hand Rails



NOTES:

1. Without Hand Rails and any Load the Section will be around 12.5" out of water.
2. Full Capacity of the section (at 100% submersion) is 3150 lbs.

NOT IN SCALE		DRAWN BY	DATE		TITLE:	REVISION
STATUS:	RELEASED	AB	09/27/2021		60" Walkway Section	SHEET 1 OF 1
SNAP DOCK PRODUCTS				TOLERANCES	PART NO.	ENG. ID.
<small>ALL DIMENSIONS, DESIGNS, AND INFORMATION ON THIS PRINT MUST BE CONSIDERED PROPRIETARY TO SNAP DOCK PRODUCTS AND MAY NOT BE USED, COPIED, OR DISTRIBUTED WITHOUT WRITTEN PERMISSION OF AN OFFICER (OR HIS AGENT) OF THE FIRM.</small>				<small>ANGULAR = LINEAR =</small>		Walk Way